



# Gap Island

**EN** Acoustic luminaire in XXL size. With its large surface panel, it is suitable for open-plan offices or conference rooms. It absorbs a significant amount of the surrounding sound. The panel has a characteristic cut-out, which is an eye-catching detail that adds lightness to the lamp. Panel sizes and colors are fully customizable.

**DE** Akustiklampe im XXL-Format. Dank des großflächigen Paneels eignet sich das Modell perfekt für Open Space-Büros oder Konferenzräume. Die Lampe absorbiert einen großen Teil der Geräusche aus der unmittelbaren Umgebung. Das Paneel hat eine charakteristische Kerbe – ein auffälliges Detail, das der Lampe Leichtigkeit verleiht. Passen Sie Größe und Farbe des Paneels an die Anforderungen Ihres Projekts an.

## Quickinfo

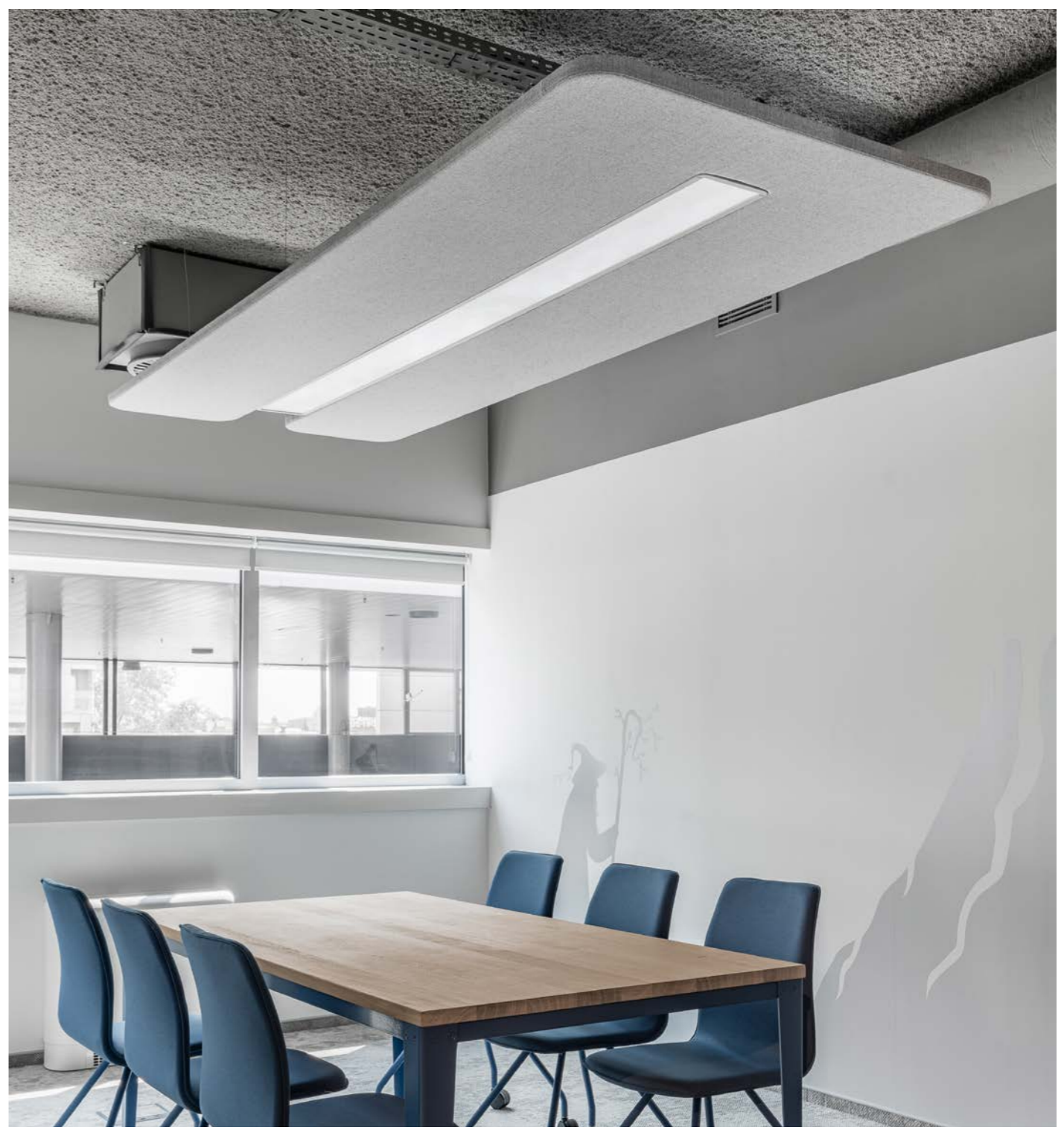
	L ■ 01	XL ■ 02
luminaire size	1700×1000×35	2300×1000×35
light source size	1200×240×33	1800×240×33
system power	50W (↑20W ↓30W)	80W (↑32W ↓48W)
luminous flux	↑2700lm ↓3650lm	↑4320lm ↓5840lm
UGR	<19	<19

## Technical information

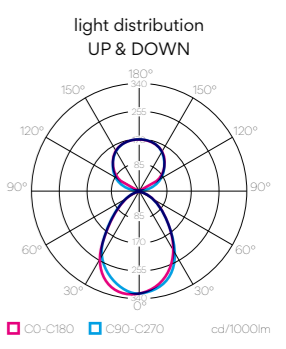
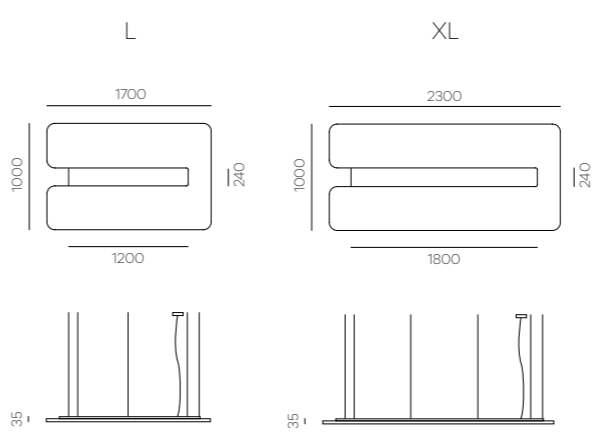
		>90 CRI icon"/>		
light distribution - up	115°			
light distribution - down	80°			
luminous efficiency	125lm/W			
electrical control	ON / OFF	▲ 9		
	DALI	▲ 8		
color temperature	3000K	● 3		
	4000K	● 4		
	on request: TUNABLE WHITE	● 9		
luminaire color	black	◆ 01		
	white	◆ 02		
fabric color	Synergy by Camira color palette LDSxxx - choose color from page 268	◆ LDSxxx		
	Gabriel color palette Gxxx - choose color from page 269 - 273	◆ Gxxx		

**Example**  
 Gap Island    standard power    4000K    no frame    Gabriel color 100  
 ↑                    ↑                    ↑                    ↑                    ↑  
 2110 - 01 - 2 - 8 - 4 - 01 - 00 - 2 - G100  
 ↓                    ↓                    ↓                    ↓                    ↓  
 size L            DALI            luminaire black    pendant up & down

**Create my unique code!**  
 2110 - ■ - 2 - ▲ - ● - ◆ - 00 - 3 - ◆



ING KATOWICE MAŁECCY BIURO PROJEKTOWE



# Synergy fabrics by Camira

**EN** The Camira fabrics color range features 75 shades of Synergy woolen fabric. The fabric is made of the highest quality New Zealand wool and blended only with 5% polyamide. It is very soft, strong, has an impressive wear resistance, and in combination with other materials used in our luminaires, has excellent acoustic characteristics.

**DE** Die Farbpalette von Camira fabrics umfasst 75 Farbtöne des Synergy-Wollstoffs. Der Stoff ist aus hochwertigster neuseeländischer Wolle gefertigt und mit nur 5% Polyamid verbunden. Es ist sehr weich, stark, hat eine beeindruckende Abriebfestigkeit und hat in Kombination mit anderen Materialien, die in unseren Leuchten verwendet werden, hervorragende akustische Eigenschaften.



# Gabriel Chili

**EN** Chili is a pioneering upholstery fabric distinguished by its fusion of sustainable materials and exceptional fire resistance. Made from 75% post-consumer recycled flame retardant polyester, the fabric sets new environmental standards for fire retardant fabrics. Chili blends unicolored and melange fibers to create a simple yet distinctive two-toned grid design.

**DE** Chili ist ein wegweisender Bezugstoff, der sich durch die Verschmelzung nachhaltiger Materialien und außergewöhnlicher Feuerbeständigkeit auszeichnet. Der Stoff besteht zu 75% aus recyceltem, flammhemmendem Polyester und setzt neue Umweltstandards für flammhemmende Stoffe. Chili mischt einfarbige und melierte Fasern, um ein einfaches, aber unverwechselbares zweifarbige Gitterdesign zu schaffen.

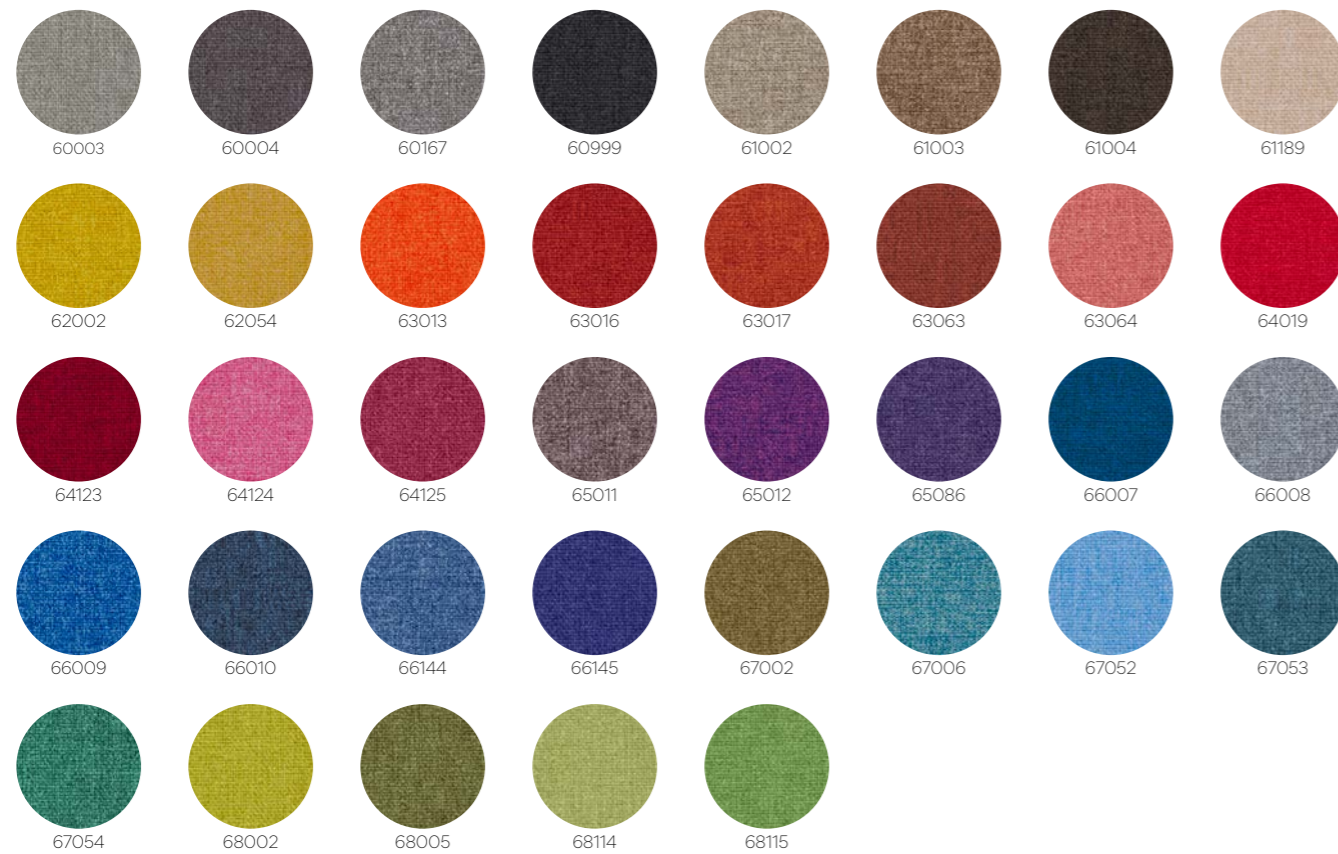




# Gabriel Medley

**EN** Medley is woven in 100% polyester melange yarn with a simple, geometric structure. The tight texture and the changing structure of the yarn give the fabric an intense color depth and a lively surface in multiple shades. The weave structure accentuates the richness of every single nuance and creates a discreet color play across the fabric's surface. Nuances fuse gently and with varying saturation and intensity, depending on the incident angle of the light.

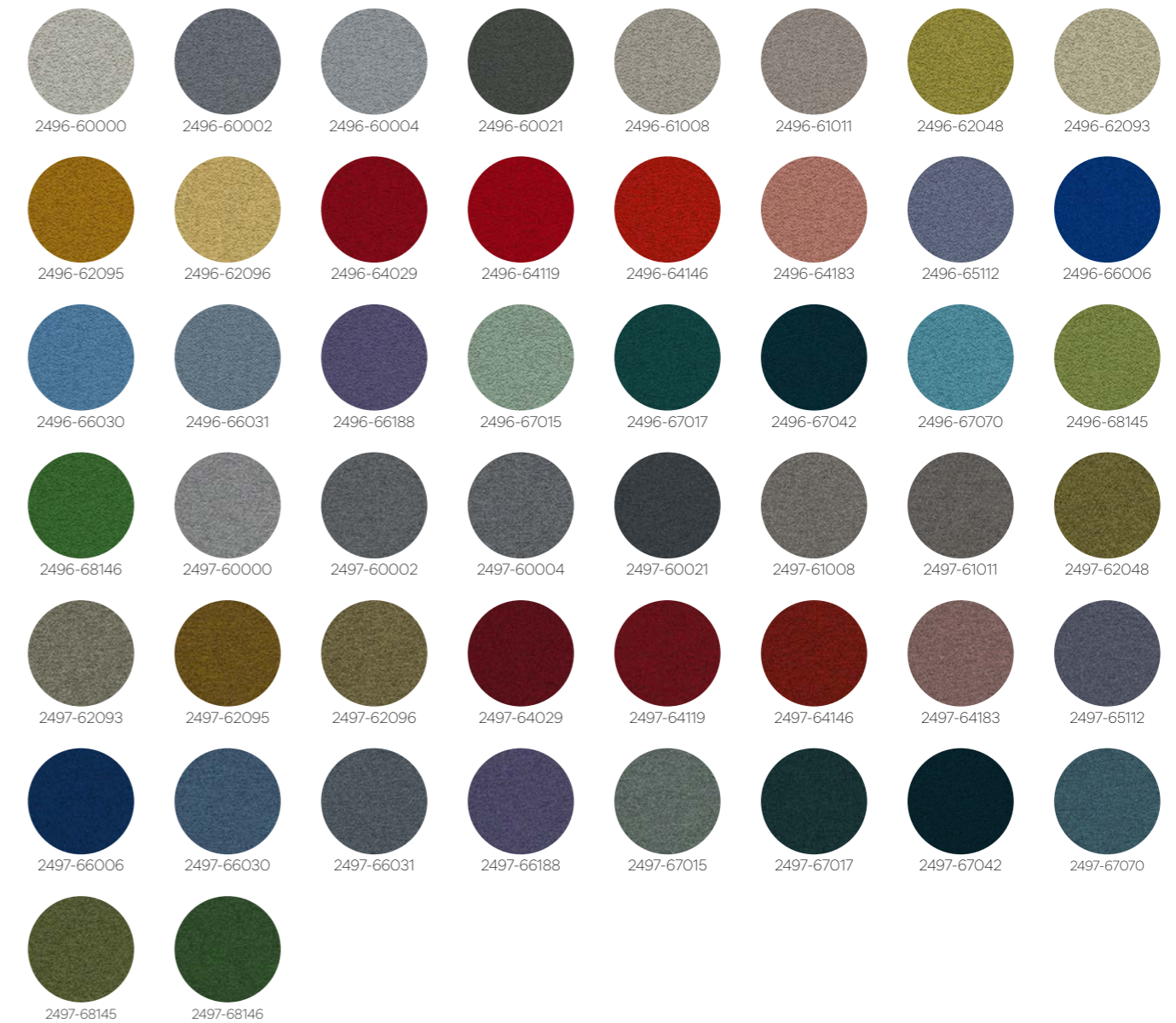
**DE** Medley ist aus 100% Polyester-Mischgarn mit einer einfachen, geometrischen Struktur gewebt. Die straffe Textur und die wechselnde Struktur des Garns verleihen dem Stoff eine intensive Farbtiefe und eine lebendige Oberfläche in mehreren Farbnuancen. Die Webstruktur betont den Reichtum jeder einzelnen Nuance und erzeugt ein dezentes Farbspiel auf der Stoffoberfläche. Je nach Einfallswinkel des Lichts verschmelzen Nuancen sanft und mit unterschiedlicher Sättigung und Intensität.



# Gabriel Mica

**EN** Mica is a cross-functional, two-toned crepe fabric with a graphic yet discreet melange effect. The classic crepe structure is given a contemporary twist, and with its sparkling, crisp, and fresh expression, Mica stands out as an exclusive, sophisticated and updated crepe fabric.

**DE** Mica ist ein funktionsübergreifender, zweifarbiges Kreppstoff mit grafischem und dennoch dezentem Melange-Effekt. Die klassische Kreppstruktur erhält eine zeitgemäße Note, und mit seinem funkelnden, klaren und frischen Ausdruck sticht Mica als exklusiver, raffinierter und aktualisierter Kreppstoff hervor.



# Gabriel Noma

**EN** Upholstery fabric Noma is distinguished by its attractive, durable, and two-toned melange design, excellent fire resistance, and environmentally friendly. Made from 50% post-consumer recycled flame retardant polyester, Noma is an eco-friendly alternative to standard flame retardant polyester fabrics. It meets all common European fire safety standards.

**DE** Der Bezugsstoff Noma zeichnet sich durch sein attraktives, strapazierfähiges und zweifarbiges Melange-Design, hervorragende Feuerbeständigkeit und Umweltfreundlichkeit aus. Noma besteht zu 50% aus recyceltem, flammhemmendem Polyester und ist eine umweltfreundliche Alternative zu standardmäßigen flammhemmenden Polyesterstoffen. Es erfüllt alle gängigen europäischen Brandschutznormen.



# Gabriel Select

**EN** Select is a classic woolen upholstery fabric distinguished by its underplayed, uncolored elegance and basic, authentic look that exudes sublime craftsmanship and first-class quality. The fabric's tightly woven relief structure adds depth and textural dimension and brings the solid colors to life in a delicate interplay of light and shadow.

**DE** Select ist ein klassischer Wollbezugsstoff, der sich durch seine unaufdringliche, ungefärbte Eleganz und seinen authentischen, authentischen Look auszeichnet, der höchste Handwerkskunst und erstklassige Qualität ausstrahlt. Die dicht gewebte Reliefstruktur des Stoffes fügt Tiefe und strukturelle Dimension hinzu und erweckt die Unifarben in einem zarten Spiel von Licht und Schatten zum Leben.





# Guidelines for cleaning and maintenance of materials used in flexxica luminaires.

To maintain the beautiful color and appearance of flexxica lighting fittings, we recommend gentle vacuuming with a soft tip, preferably weekly.

## Stain removal – the golden rule

Remove the stain as soon as possible. Most stains can be removed with lukewarm water, possibly with the addition of a neutral detergent.

## Merino wool felt

Wool is antistatic and does not attract dirt like other fabrics. Wool is also water-repellent, so the liquids slowly penetrate the fabric.

Cleaning: First, soak up as much liquid as possible with a white kitchen towel or cloth. If the stain has dried, remove as much as possible with a vacuum cleaner. Wipe carefully with a clean white cloth.

## Upholstered material

Upholstery in flexxica luminaires is highly versatile and durable. The material is antistatic and fireproof, so stains are easily removed.

Cleaning: Do not wet the entire lampshade. Always use a clean white cotton cloth and only use small amounts of cleaning agent at a time.

## EcoPET material

The ecoPET is made of 60% recycled PET bottles. It is straightforward to maintain, and stains can be removed easily and hassle-free.

Cleaning: Never rub hard to remove a stain. Always use a clean white cotton cloth with a bit of detergent.

## Glass luminaires

Boya is made in a traditional blown-glass technology, therefore it requires special and delicate cleaning care.

Cleaning: Use a soft, lint-free microfiber or cotton cloth with distilled water (optimal) or mild glass cleaner or a solution of equal parts water and white vinegar. Wipe carefully with a clean white cloth.

## WARNING!

**Benzene, acetone, and similar solvent-based products may discolor the materials of the flexxica luminaires. Before use, apply a small amount of the product to an inconspicuous spot to ensure it doesn't cause any damage or discoloration.**

## flexxica

ul. Szyszkowa 43  
02-285 Warsaw  
Poland / European Union

+48 723 06 30 30  
hello@flexxica.com  
flexxica.com

## PHOTOGRAPHY

Dominika Rutkowska  
Ernest Wińczyk  
Fotomohito  
Patryk Lewiński  
PION Studio  
Szymon Polański

Copyright 2024 flexxica®

The flexxica® logo is a national and international registered trademark, held and owned exclusively by PL sp. z o.o. It cannot be reproduced or used, for commercial or other purposes, without the prior written permission of flexxica. This catalog cancels and replaces all previous editions. Flexxica has ensured that the information contained in this catalog is as accurate as possible; however, it declines all responsibility for any printing errors. Flexxica reserves the right to make modifications and improvements of a technical or aesthetic nature to the products at any time without notice. The reproduction (even partial) of this catalog, for any reason and with any means, is prohibited without the prior written permission of flexxica.

Please note that the actual appearance of flexxica's felt and fabric lighting fixtures may vary from the images shown in the catalog. This is because each type of felt and fabric possesses its own distinct characteristics. This is not a disadvantage of the luminaire but an advantage – each product is unique and unrepeatable.

Keep in mind that the colors of PET, felts, and fabric may differ slightly from what you see in the catalog. For the most accurate representation, we recommend referring to our sample book.

Due to the production process of both felt and PET, there may be slight variations in material between different production batches. Additionally, please take into consideration that PET boards have distinct left and right sides, along with a specific fiber arrangement. This is particularly important to consider when installing larger structures, such as wall-mounted panels.

Graphic Design: emenem.pl

Paper: Arctic Volume White 115g

Cover: Color STYLE Recycling 270g

Typeface: Gordita

Printed in Poland